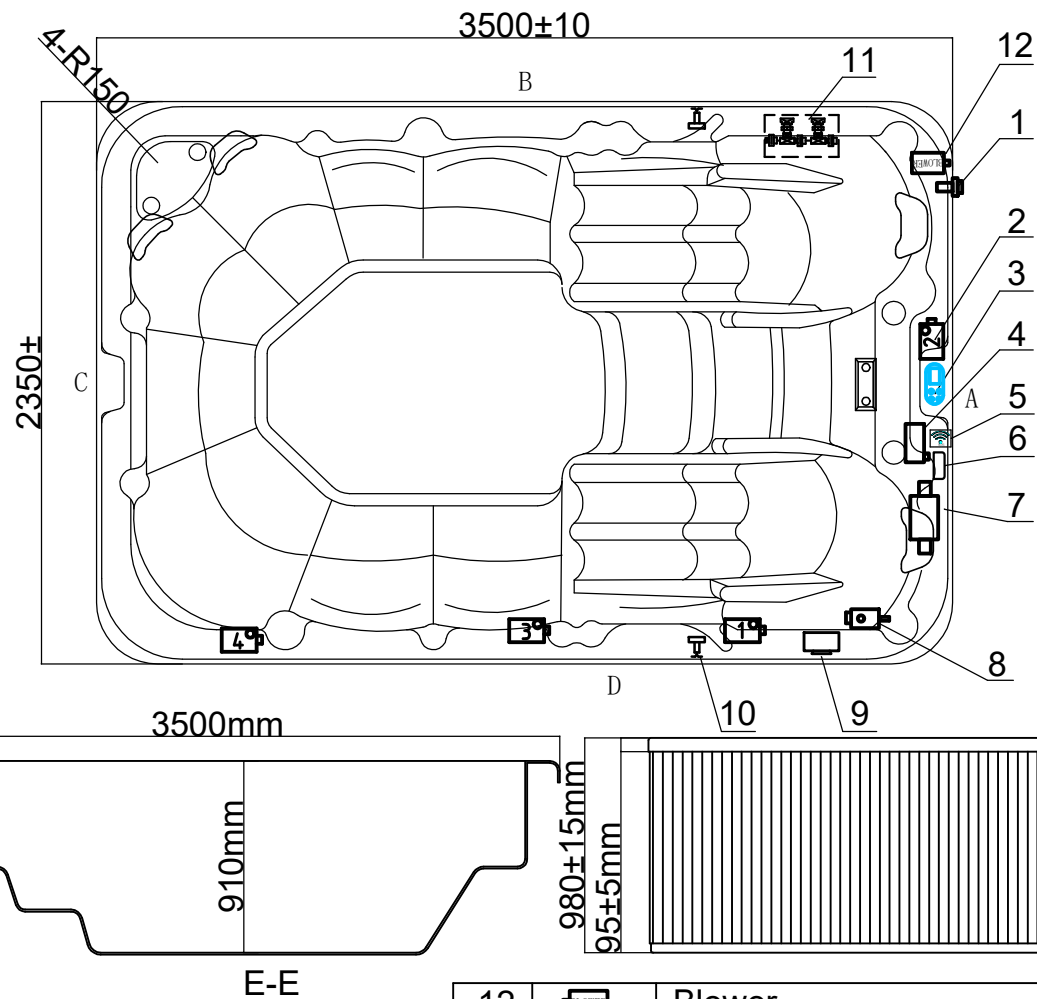
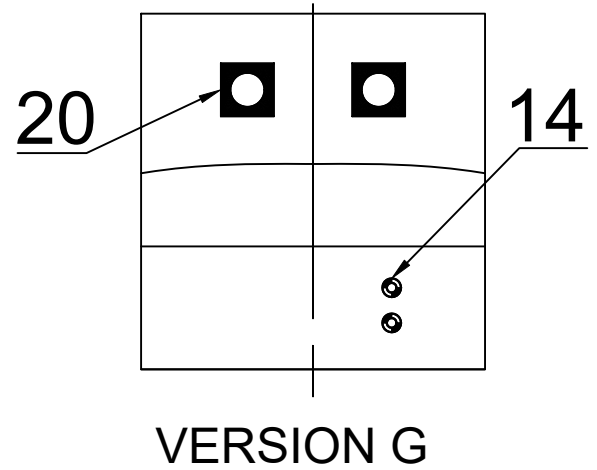
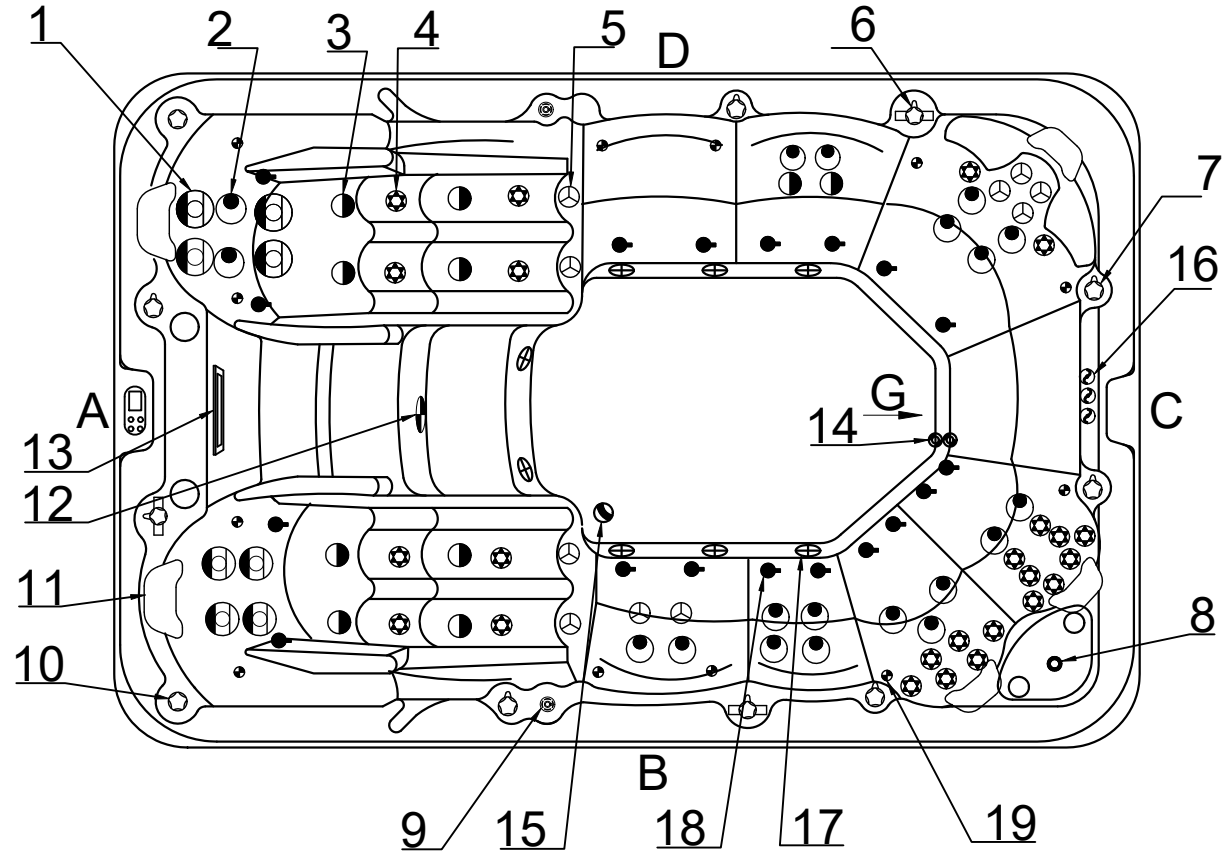


WEAL350



Notes: Due to manufacturing tolerances, there could be some minor differences between the actual spa and the drawing above. If site planning is critical to such tolerances, be sure to measure your actual spa. All specifications are subject to change without notice. Some components may be optional on your spa.

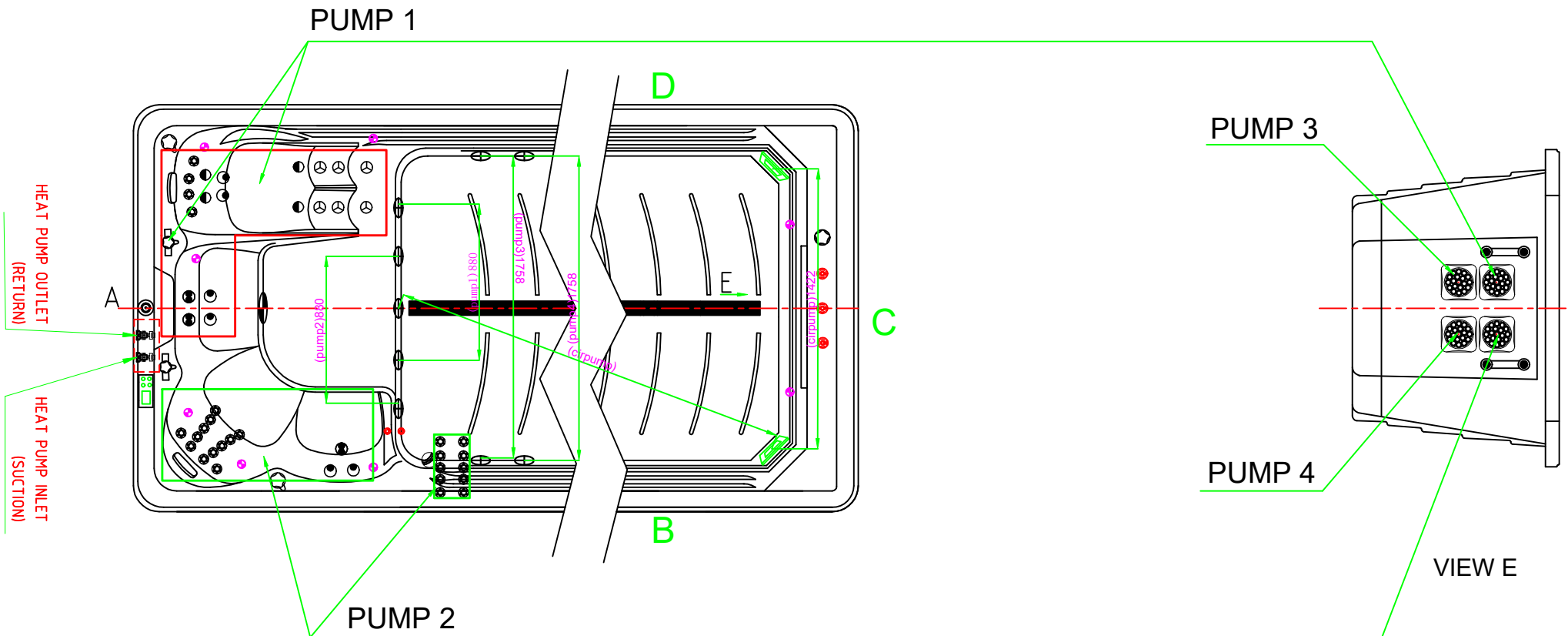
12		Blower	1	pcs
11		Heat Pump Ready Unit (Option)	1	pcs
10		Transducer Speaker(Option)	2	pcs
9		Subwoofer(Option)	1	pcs
8		Circulation Pump	1	pcs
7		Control Box	1	pcs
6		C.stream (Option)	1	pcs
5		WiFi	1	pcs
4		CD Ozone Generator	1	pcs
3		Control Panel	1	pcs
2		3HP Single Speed Pump	4	pcs
1		Drain Valve	1	pcs
NO	ICON	DESCRIPTION	QTY	UNIT



Notes: Due to manufacturing tolerances, there could be some minor differences between the actual spa and the drawing above. If site planning is critical to such tolerances, be sure to measure your actual spa. All specifications are subject to change without notice. Some components may be optional on your spa.

12		5" Light housing without Holder	1	pcs					
11		Butterfly Headrest	5	pcs					
10		Fountain valve	2	pcs					
9		Lifting Fountain	2	pcs					
20		Swim jet - Force 10	2	pcs					
19		MINI-LED light cover	12	pcs					
18		1" air injector assembly	18	pcs					
17		2" Suction (full set)	8	pcs					
16		Roma fountain	3	pcs					
15		Star-Shape SS Bottom Drain	1	pcs					
14		Ozone Injector	2	pcs					
13		Twin Cilinder Skimmer	1	pcs					
8		Large 1" Direct Jet Internal	1	pcs					
7		1" Air Check Valve Assembly	6	pcs					
6		2" Water diverter valve	3	pcs					
5		3"Jet internal-Directinal	12	pcs					
4		2.5" Jet Internal-Directional	26	pcs					
3		3"Jet Internal-Single pulse	10	pcs					
2		4"Jet Internal-Single pulse	19	pcs					
1		5"Jet Internal-Single pulse	8	pcs					
NO	ICON	DESCRIPTION	QTY	UNIT	NO	ICON	DESCRIPTION	QTY	UNIT

Therapy Assignment



Notes: Due to manufacturing tolerances, there could be some minor differences between the actual spa and the drawing above. If site planning is critical to such tolerances, be sure to measure your actual spa. All specifications are subject to change without notice. Some components may be optional on your spa.